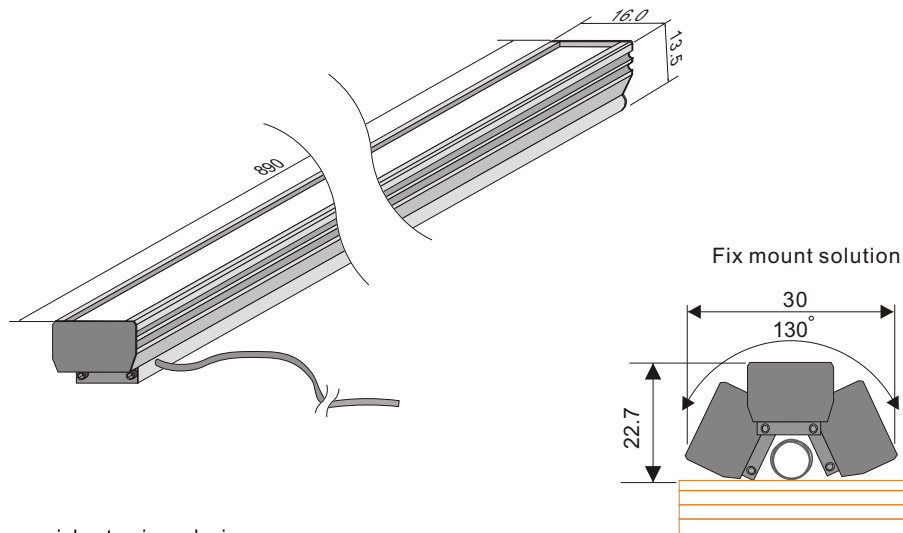


CC05-060B Series

Ordering Informations

Model No.	Color	Size	Light Source	Luminous Intensity
CC05WW060B	Warm White (3,000-3,500K)	600x16x13.5mm	13W	1100-1200Lm
CC05NW060B	Natural White(4,000-4,500K)	600x16x13.5mm	13W	1200-1300Lm
CC05WE060B	Cool White (6,000-6,500K)	600x16x13.5mm	13W	1200-1300Lm

Outline Drawing



Features

- Aluminum casing with special extrusions design
- Energy saving
- Eco-friendly product
- Long life time (up to 50,000hours)
- High luminance
- Low power consumption
- RoHS compliant
- Low surface heat against hand touch
- No UV or IR damage light sensitive items

* The dimensional outline drawings are common in (CC05WW060B & CC05NW060B & CC05WE060B)

Unit: mm

Specifications

Parameter	Rating value
Light source	SMD
Input Voltage	DC 24V
Installation Diameter	N/A
Operating Temperature	-40 to +70 °C
Beam Angle (Adjustable tilt)	060°
Weight	600g
CRI	70-80

Warning:

- * Do not look permanently to the light sources.
- * Specified performance measured in DC 24V.

