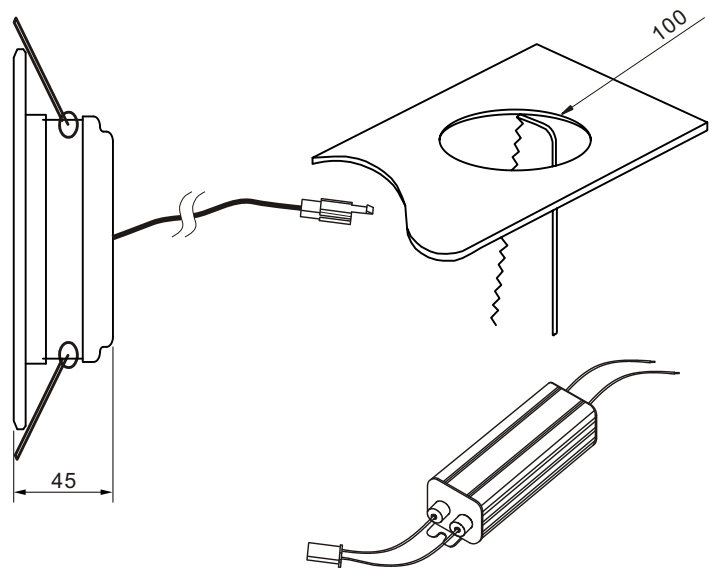
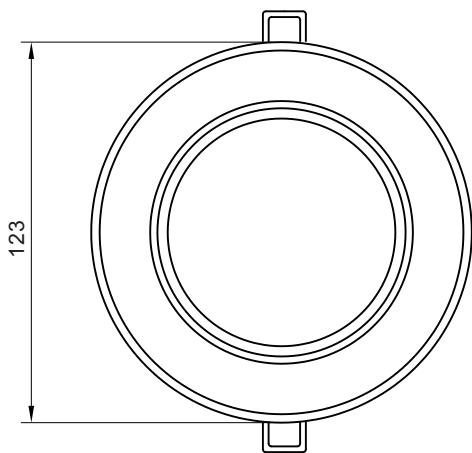


DL10AK Series

Ordering Informations

| Model No. | Color | Size | Light Source | Luminous Intensity |
|------------|------------------------------|-----------|--------------|--------------------|
| DL10AKWW9W | Warm White (3,000-3,500K) | ∅123x45mm | 9W | 700-800Lm |
| DL10AKNW9W | Natural white (4,000-4,500K) | ∅123x45mm | 9W | 750-850Lm |
| DL10AKWE9W | Cool White (6,000-6,500K) | ∅123x45mm | 9W | 750-850Lm |

Outline Drawing



Features

- Aluminum casing with special extrusions design
- Energy saving
- Eco-friendly product
- Long life time (up to 50,000hours)
- High luminance
- Low power consumption
- RoHS compliant
- Low surface heat against hand touch
- No UV or IR damage light sensitive items
- POWER FACTOR ≥0.92

* The dimensional outline drawings are common in (DL10AKWW9W & DL10AKNW9W & DL10AKWE9W)

Unit: mm

Specifications

| Parameter | Rating value |
|------------------------------|---------------------|
| Size | N/A |
| Light source | SMD |
| Input Voltage | AC90-260V , 50/60Hz |
| Installation Diameter | 100 |
| Operating Temperature | -40 to +70 °C |
| Beam Angle (Adjustable tilt) | 150° |
| Weight | 450g |
| CRI | 75-83 |

Warning:

- * Do not look permanently to the light sources.
- * Specified performance measured in AC90-260V 50/60Hz

