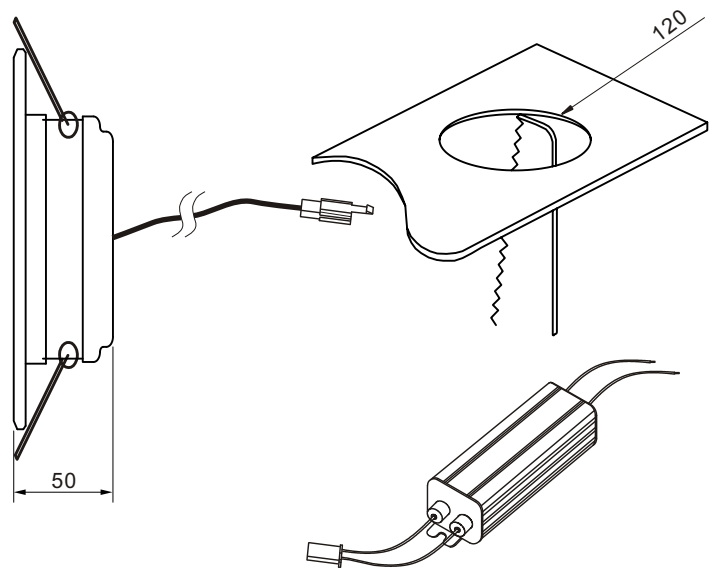
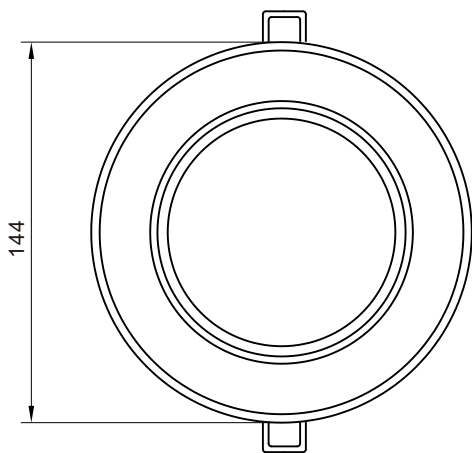


## DL12AK Series

### Ordering Informations

Model No.	Color	Size	Light Source	Luminous Intensity
DL12AKWW12W	Warm White (3,000-3,500K)	∅144x50mm	12W	900-1000Lm
DL12AKNW12W	Natural white (4,000-4,500K)	∅144x50mm	12W	900-1000Lm
DL12AKWE12W	Cool White (6,000-6,500K)	∅144x50mm	12W	900-1000Lm

### Outline Drawing



### Features

- Aluminum casing with special extrusions design
- Energy saving
- Eco-friendly product
- Long life time (up to 50,000hours)
- High luminance
- Low power consumption
- RoHS compliant
- Low surface heat against hand touch
- No UV or IR damage light sensitive items
- POWER FACTOR ≥0.92

\* The dimensional outline drawings are common in ( DL12AKWW12W & DL12AKNW12W & DL12AKWE12W)

Unit: mm

### Specifications

Parameter	Rating value
Size	N/A
Light source	SMD
Input Voltage	AC90-260V , 50/60Hz
Installation Diameter	120
Operating Temperature	-40 to +70 °C
Beam Angle (Adjustable tilt)	150°
Weight	500g
CRI	75-83

#### Warning:

- \* Do not look permanently to the light sources.
- \* Specified performance measured in AC90-260V 50/60Hz

