

DL12AN Series

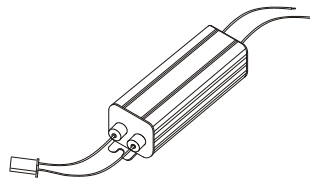
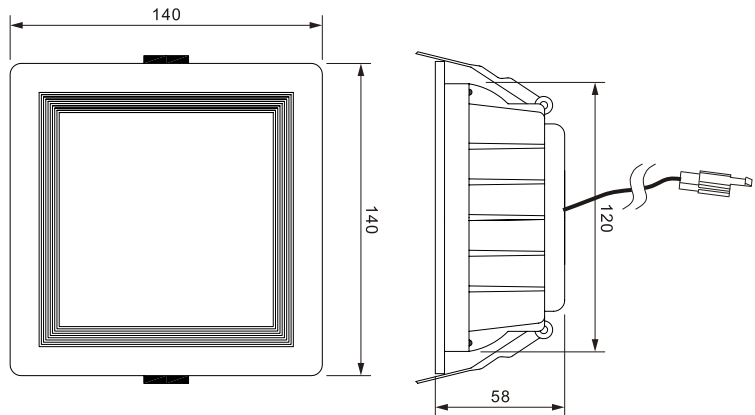
Ordering Informations

Model no.	Color	Size	Light Source	Luminous Intensity
DL12ANWW12W	Warm White (3,000-3,500K)	140 x 140 x 58mm	12W	800-900lm
DL12ANWE12W	Cool White (4,500-4,750K)	140 x 140 x 58mm	12W	900-1,000lm

Outline Drawing



DL12AN Series



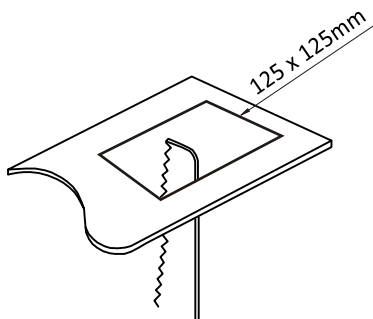
Features

- Aluminum casing with special extrusions design
- Energy saving
- Eco-friendly product
- Long life time (up to 50,000hours)
- High luminance
- Low power consumption
- RoHS compliant
- Low surface heat against hand touch
- No UV or IR damage light sensitive items

* The dimensional outline drawings are common in (DL12ANWW12W and DL12ANWE12W)

Unit: mm

Installation Size



Specifications

Parameter	Rating value
Forward Current	350mA
Input Voltage	AC 85-260V, 50/60Hz
Light Source	12 x 1W
Operating Temperature	-45 to +70°C
Viewing angle	150deg
Weight	550g

Warning:

- * Do not look permanently to the light sources
- * Specified performance measured in 85-260V

