

DL15AB Series

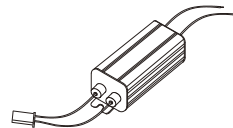
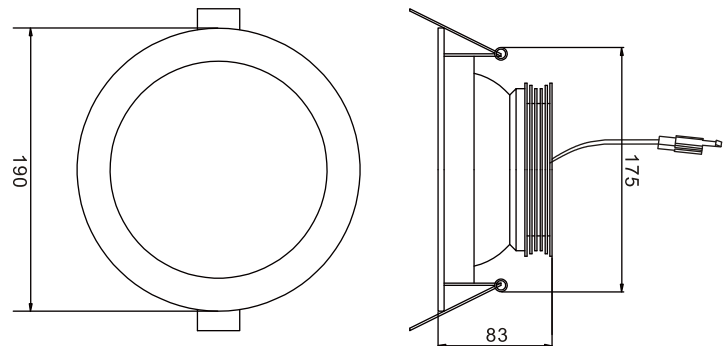
Ordering Informations

Model No.	Color	Size	Light Source	Luminous Intensity
DL15ABWW15W	Warm White (3,000-3,500K)	Ø190x83mm	15x1W	1300-1500lm
DL15ABNW15W	Cool White (4,000-4,200K)	Ø190x83mm	15x1W	1600-1800lm
DL15ABWE15W	Cool White (6,000-6,500K)	Ø190x83mm	15x1W	1700-1900lm

Outline Drawing



DL15AB Series



AC 85-260V, 50/60Hz
Supply unit

Features

- Aluminum casing with special extrusions design
- Energy saving
- Eco-friendly product
- Long life time
- High luminance
- Low power consumption
- RoHS compliant
- Low surface heat against hand touch
- No UV or IR damage light sensitive items
- Highly efficient heat release mechanism

* The dimensional outline drawings are common in
(DL15ABWW15W, DL15ABNW15W and DL15ABWE15W)

Unit: mm

Specifications

Parameter	Rating value
Power Consumption	15W
Input Voltage	AC 85-220V, 50/60Hz
Installation Diameter	175mm
Light Source	15x1W power LED
Operating Temperature	- 40 to +70°C
Beam Angle (Adjustable tilt)	120°
Weight	900g
CRI	85
Body / Finish Color	Aluminium

Warning:

- * Do not look permanently to the light sources.
- * Specified performance measured in 85-220Vac.

