

## DL1A Series

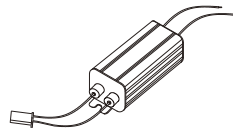
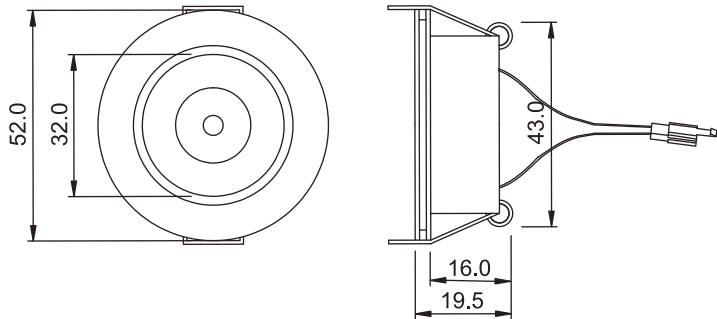
### Ordering Informations

Model No.	Color	Size	Light Source	Luminous Intensity
DL1AWW1W	Warm White (3,000-3,500K)	Ø52x19.5mm	1x1W	90-100lm
DL1AWE1W	Cool White (6,000-6,500K)	Ø52x19.5mm	1x1W	100-110lm

### Outline Drawing



DL1A Series



AC 85-220V, 50/60Hz  
Supply unit

### Features

- Aluminum casing with special extrusions design
- Energy saving
- Eco-friendly product
- Long life time
- High luminance
- Low power consumption
- RoHS compliant
- Low surface heat against hand touch
- No UV or IR damage light sensitive items
- Highly efficient heat release mechanism

\* The dimensional outline drawings are common in (DL1AWW1W and DL1AWE1W)

Unit: mm

### Specifications

Parameter	Rating value
Power Consumption	1W
Input Voltage	AC 85-220V, 50/60Hz
Installation Diameter	43.0mm
Light Source	1x1W power LED
Operating Temperature	- 40 to +70°C
Beam Angle (Adjustable tilt)	30°(15°)
Weight	129g
CRI	85
Body / Finish Color	Die-cast Aluminium casing

#### Warning:

- \* Do not look permanently to the light sources.
- \* Specified performance measured in 85-220Vac.

