

DL1H Series

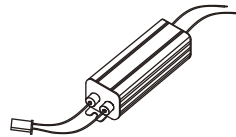
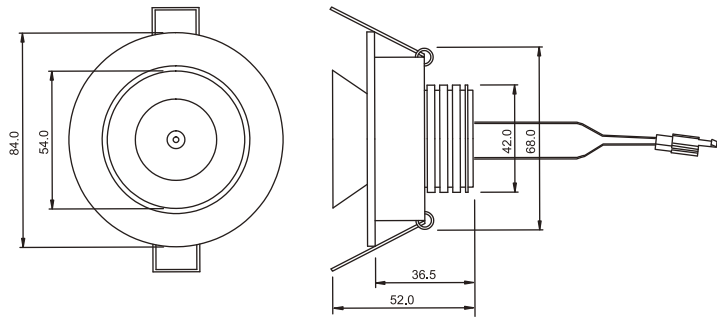
Ordering Informations

Model No.	Color	Size	Light Source	Luminous Intensity
DL1HWW3W	Warm White (3,000-3,500K)	Ø84x52.0mm	1x3W	150-180lm
DL1HWE3W	Cool White (6,000-6,500K)	Ø84x52.0mm	1x3W	200-240lm

Outline Drawing



DL1H Series



AC 85-220V, 50/60Hz
Supply unit

Features

- Aluminum casing with special extrusions design
- Energy saving
- Eco-friendly product
- Long life time
- High luminance
- Low power consumption
- RoHS compliant
- Low surface heat against hand touch
- No UV or IR damage light sensitive items
- Highly efficient heat release mechanism

* The dimensional outline drawings are common in (DL1HWW3W and DL1HWE3W)

Unit: mm

Specifications

Parameter	Rating value
Power Consumption	3W
Input Voltage	AC 85-220V, 50/60Hz
Installation Diameter	68.0mm
Light Source	1x3W power LED
Operating Temperature	- 40 to +70°C
Beam Angle (Adjustable tilt)	30°(15°)
Weight	282g
CRI	85
Body / Finish Color	Die-cast Aluminium casing

Warning:

- * Do not look permanently to the light sources.
- * Specified performance measured in 85-220Vac.

