

DL3AF Series

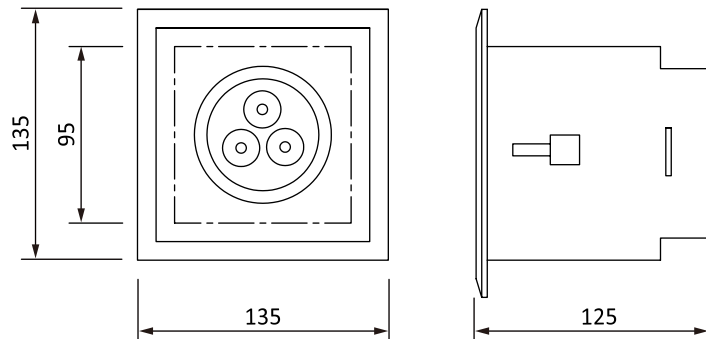
Ordering Informations

Model no.	Color	Size	Light Source	Luminous Intensity
DL3AFWW3W	Warm White (3,000-3,500K)	135 X 125mm	3x1W	250-270lm
DL3AFNW3W	Neutral White (4,500-4,750K)	135 X 125mm	3x1W	280-300lm
DL3AFWE3W	Cool White (5,500-6,500K)	135 X 125mm	3x1W	300-310lm

Outline Drawing



DL3AF Series



Features

- Aluminum casing with special extrusions design
- Energy saving
- Eco-friendly product
- Long life time
- High luminance
- Low power consumption
- High efficient heat release mechanism
- Low surface heat against hand touch
- No UV or IR damage light sensitive items

* The dimensional outline drawings are common in (DL3AFWW3W, DL3AFNW3W and DL3AFWE3W)

Unit: mm

Specifications

Parameter	Rating value
Power Consumption	3W
Input Voltage	AC 85-260V, 50/60Hz
Light Source	3W power LED
Operating Temperature	-40 to +70°C
Beam Angle	45°
CRI	85
Weight	600g
Body / Finish Color	Aluminium

Warning:

- * Do not look permanently to the light sources
- * Specified performance measured in AC 85-260V

