

DL9AG Series

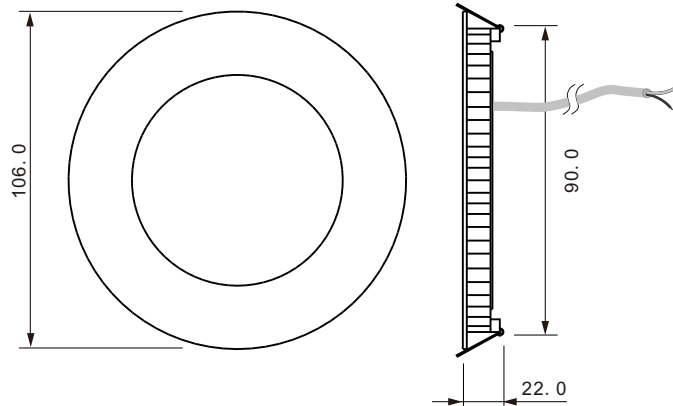
Ordering Informations

Model no.	Color	Size	Light Source	Luminous Intensity
DL9AGWW4W	Warm White (3,000-3,500K)	Ø106x22mm	4W	200-300Lm
DL9AGNW4W	Natural White(4,000-4,500K)	Ø106x22mm	4W	250-350Lm
DL9AGWE4W	Cool White (6,000-6,500K)	Ø106x22mm	4W	250-350Lm

Outline Drawing



DL9AG Series

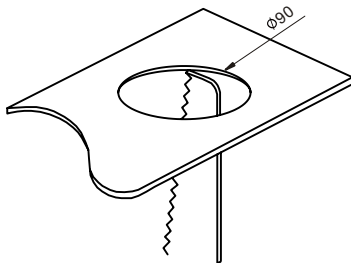


Features

- Aluminum casing with special extrusions design
- Energy saving
- Eco-friendly product
- Long life time (up to 50,000hours)
- High luminance
- Low power consumption
- RoHS compliant
- Low surface heat against hand touch
- No UV or IR damage light sensitive items
- High efficient heat release mechanism

* The dimensional outline drawings are common in (DL9AGWW4W & DL9AGNW4W & DL9AGWE4W)

Unit: mm



Specifications

Parameter	Rating value
Light source	SMD 4W
Input Voltage	AC90-260V 50/60Hz
Installation Diameter	Ø90
Operating Temperature	-40 to +70 °C
Beam Angle (Adjustable tilt)	150°
Weight	220g
CRI	80<

Warning:

- * Do not look permanently to the light sources
- * Specified performance measured in AC90-260V 50/60Hz

