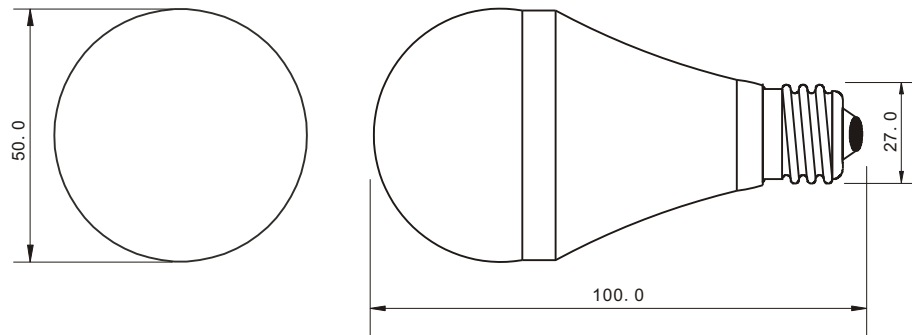


E27-3CH Series

Ordering Informations

Model no.	Color	Size	Light Source	Luminous Intensity
E27-3CHWW3W	Warm White (3,000-3,500K)	ø50x100mm	3W	200-250Lm
E27-3CHNW3W	Natural white (4,000-4,500K)	ø50x100mm	3W	250-300Lm
E27-3CHWE3W	Cool White (6,000-6,500K)	ø50x100mm	3W	250-300Lm

Outline Drawing



Features

- Aluminum casing with special extrusions design
- Energy saving
- Eco-friendly product
- Long life time (up to 50,000hours)
- High luminance
- Low power consumption
- RoHS compliant
- Low surface heat against hand touch
- No UV or IR damage light sensitive items

* The dimensional outline drawings are common in (E27-3CHWW3W & (E27-3CHNW3W & (E27-3CHWE3W) Unit: mm

Specifications

Parameter	Rating value
Light source	SMD 3W
Input Voltage	AC90-260V 50/60Hz
Installation Diameter	N/A
Operating Temperature	-40 to +70°C
Beam Angle	150°
Weight	140g
CRI	70-80

Warning:

- * Do not look permanently to the light sources.
- * Specified performance measured in AC90-260V 50/60Hz

