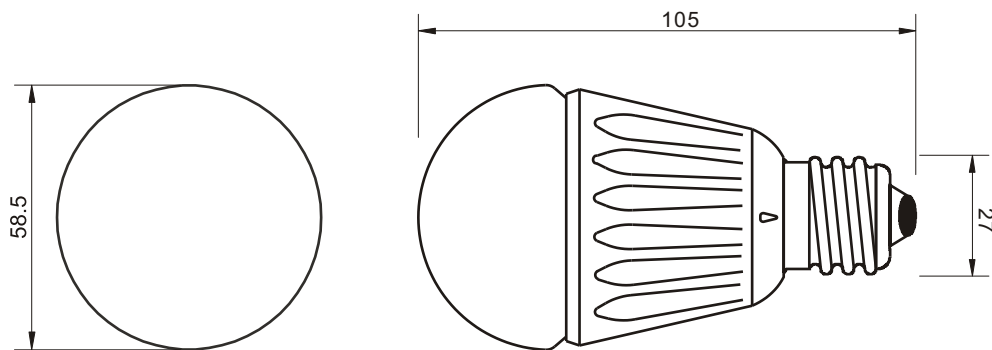


E27-5ZA Series

Ordering Informations

Model No.	Color	Size	Light Source	Luminous Intensity
E27-5ZAWW5W	Warm White (3,000-3,500K)	φ58.5x105mm	5W	400-500Lm
E27-5Zawe5W	Cool White (6,000-6,500K)	φ58.5x105mm	5W	450-550Lm

Outline Drawing



Features

- Aluminum casing with special extrusions design
- Energy saving
- Eco-friendly product
- Long life time (up to 50,000hours)
- High luminance
- Low power consumption
- RoHS compliant
- Low surface heat against hand touch
- No UV or IR damage light sensitive items

* The dimensional outline drawings are common in (E27-5ZAWW3W & E27-5Zawe3W)

Unit: mm

Parameter	Rating value
Forward Current	320mA
Input voltage	AC220V 50/60Hz
Installation Diameter	N/A
Light source	SMD
Operating temperature	-40 - +70deg
Viewing angle	180deg
Weight	150g

Warning:

- * Do not look permanently to the light sources.
- * Specified performance measured in AC220V

