

E27-7BC Series

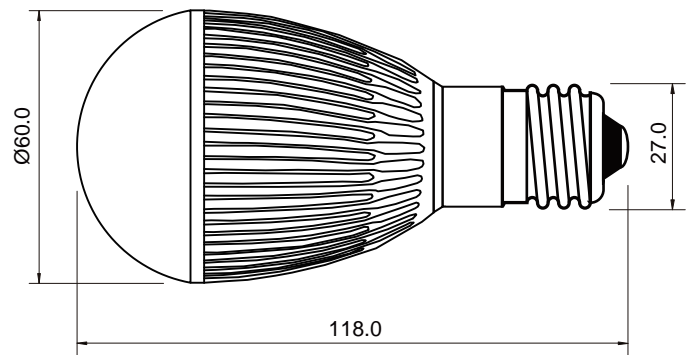
Ordering Informations

Model No.	Color	Size	Light Source	Luminous Intensity
E27-7BCWW7W	Warm White (3,000-3,500K)	Ø60.0 x 118.0mm	7x1W	680-750lm
E27-7BCWE7W	Cool White (6,000-6,500K)	Ø60.0 x 118.0mm	7x1W	630-680lm



E27-7BC Series

Outline Drawing



Features

- Aluminum casing with special extrusions design
- Energy saving
- Eco-friendly product
- Long life time (up to 50,000hours)
- High luminance
- Low power consumption
- RoHS compliant
- Low surface heat against hand touch
- No UV or IR damage light sensitive items
- Highly efficient heat release mechanism

* The dimensional outline drawings are common in (E27-7BCWW7W and E27-7BCWE7W)

Unit: mm

Specifications

Parameter	Rating value	Unit
Size	Ø60.0 x 118.0mm	mm
Power Consumption	7	W
Input Voltage	AC 110-260V, 50/60Hz	V
Installation Diameter	160	mm
Light Source	7x1W power LED	
Operating Temperature	-40 to +70°C	°C
Beam Angle (Adjustable tilt)	120°	deg
Weight	200	g
CRI	85	
Body / Finish Color	Aluminum	
Life Time	50,000	hours

Warning:

- * Do not look permanently to the light sources.
- * Specified performance measured in 110-260Vac.

