

GU10-3AX Series

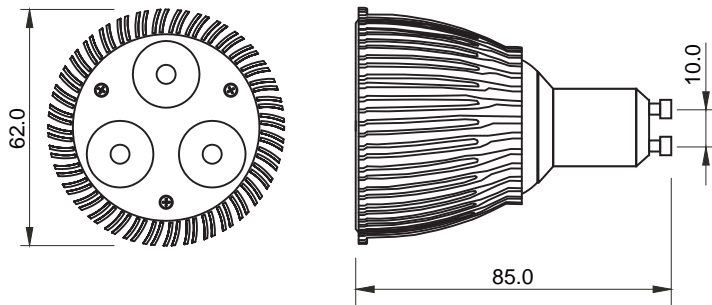
Ordering Informations

Model No.	Color	Size	Light Source	Luminous Intensity
GU10-3AXWW6W	Warm White (3,000-3,500K)	Ø62.0 x 85.0mm	3x2W	350-450lm
GU10-3AXWE6W	Cool White (6,000-6,500K)	Ø62.0 x 85.0mm	3x2W	400-500lm

Outline Drawing



GU10-3AX Series



Features

- Aluminum casing with special extrusions design
- Energy saving
- Eco-friendly product
- Long life time (up to 50,000hours)
- High luminance
- Low power consumption
- RoHS compliant
- Low surface heat against hand touch
- No UV or IR damage light sensitive items
- Highly efficient heat release mechanism

* The dimensional outline drawings are common in (GU10-3AXWW6W and GU10-3AXWE6W)

Unit: mm

Specifications

Parameter	Rating value	Unit
Size	Ø62.0 x 85.0mm	mm
Power Consumption	6	W
Input Voltage	AC 110-260V, 50/60Hz	V
Installation Diameter	70	mm
Light Source	3 x 2W power LED	
Operating Temperature	-40 to +70°C	°C
Beam Angle (Adjustable tilt)	30°	deg
Weight	180	g
CRI	85	
Body / Finish Color	Aluminum	
Life Time	50,000	hours

Warning:

- * Do not look permanently to the light sources.
- * Specified performance measured in 110-260Vac.

