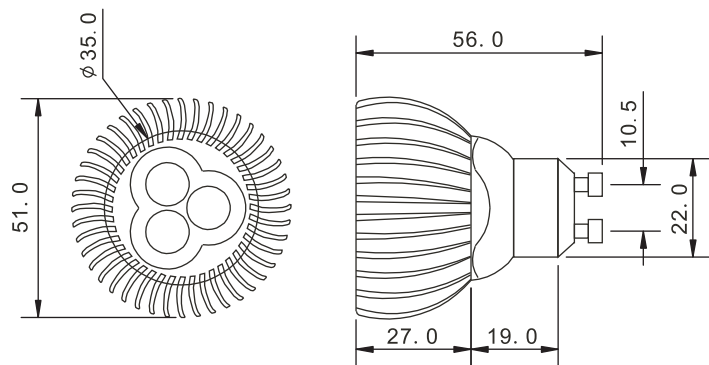


GU10-3K Series

Ordering Informations

Model No.	Color	Size	Light Source	Luminous Intensity
GU10-3KWW3W	Warm White (3,000-3,500K)	51.0 x 56.0mm	3x1W	210-250lm
GU10-3KWE3W	Cool White (6,000-6,500K)	51.0 x 56.0mm	3x1W	240-300lm

Outline Drawing



Features

- Aluminum casing with special extrusions design
- Energy saving
- Eco-friendly product
- Long life time (up to 50,000hours)
- High luminance
- Low power consumption
- RoHS compliant
- Low surface heat against hand touch
- No UV or IR damage light sensitive items
- Highly efficient heat release mechanism

* The dimensional outline drawings are common in (GU10-3KWW3W and GU10-3KWE3W)

Unit: mm

Specifications

Parameter	Rating value	Unit
Size	51.0 x 56.0mm	mm
Power Consumption	3	W
Input Voltage	AC 85-260V, 50/60Hz	V
Light Source	3x1W power LED	
Operating Temperature	-40 to +70°C	°C
Beam Angle (Adjustable tilt)	35°	deg
Weight	60	g
CRI	85	
Body / Finish Color	Aluminum	
Life Time	50,000	hours

Warning:

- * Do not look permanently to the light sources.
- * Specified performance measured in AC 85-260V, 50/60Hz.

