

MR16-3BR Series

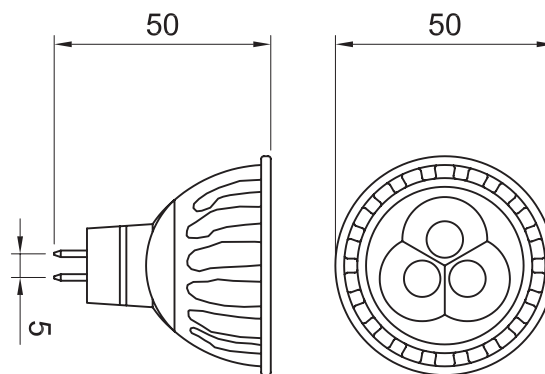
Ordering Informations

Model No.	Color	Size	Light Source	Luminous Intensity
MR16-3BRWW6W	Warm White (3,000-3,500K)	Ø50.0x 50.0mm	3x2W	400-450lm
MR16-3BRWE6W	Cool White (6,000-6,500K)	Ø50.0x 50.0mm	3x2W	420-460lm

Outline Drawing



MR16-3BR Series



* The dimensional outline drawings are common in (MR16-3BRWW6W and MR16-3BRWE6W)

Unit: mm

Features

- Ceramic casing
- Energy saving
- Eco-friendly product
- Long life time
- High luminance
- Low power consumption
- RoHS compliant
- Low surface heat against hand touch
- No UV or IR damage light sensitive items
- Highly efficient heat release mechanism

Specifications

Parameter	Rating value
Size	Ø50.0 x 50.0mm
Power Consumption	6W
Input Voltage	AC / DC 12V
Light Source	3x2W power LED
Operating Temperature	-40 to +70°C
Beam Angle	30°
Weight	60g
CRI	85
Body / Finish Color	Ceramic

Warning:

- * Do not look permanently to the light sources.
- * Specified performance measured in AC/DC 12V.

