

## MR16-3Q Series

### Ordering Informations

| Model No.      | Color                     | Size          | Light Source | Luminous Intensity |
|----------------|---------------------------|---------------|--------------|--------------------|
| MR16-3QWW4W(B) | Warm White (3,000-3,500K) | 51.0 x 47.0mm | 4W           | 270-300lm          |
| MR16-3QWE4W(B) | Cool White (6,000-6,500K) | 51.0 x 47.0mm | 4W           | 290-340lm          |

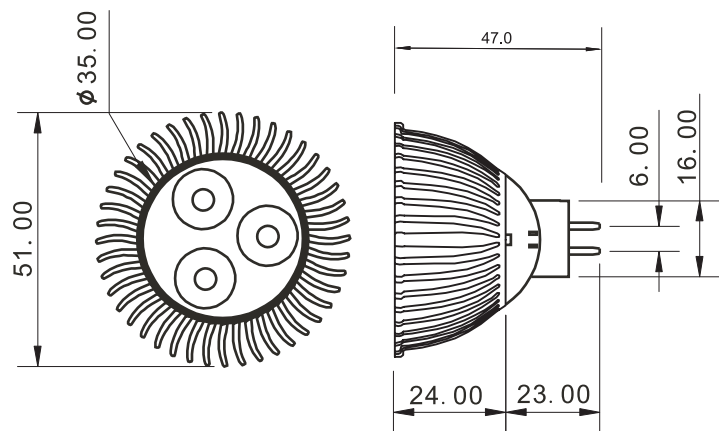


MR16-3Q (B) Series

### Features

- Aluminum casing with special extrusions design
- Energy saving
- Eco-friendly product
- Long life time
- High luminance
- Low power consumption
- RoHS compliant
- Low surface heat against hand touch
- No UV or IR damage light sensitive items
- Highly efficient heat release mechanism

### Outline Drawing



\* The dimensional outline drawings are common in MR16-3QWW4W(B) and MR16-3QWE4W(B)

Unit: mm

### Specifications

| Parameter             | Rating value  | Unit  |
|-----------------------|---------------|-------|
| Size                  | 51.0 x 47.0mm | mm    |
| Power Consumption     | 4             | W     |
| Input Voltage         | AC / DC 12V   | V     |
| Light Source          | 4W power LED  |       |
| Operating Temperature | -40 to +70°C  | °C    |
| Beam Angle            | 45°           | deg   |
| Weight                | 38            | g     |
| CRI                   | 85            |       |
| Body / Finish Color   | Aluminum      |       |
| Life Time             | 50,000        | hours |

#### Warning:

- \* Do not look permanently to the light sources.
- \* Specified performance measured in AC/DC 12V.

