

# MR16-3Q Series

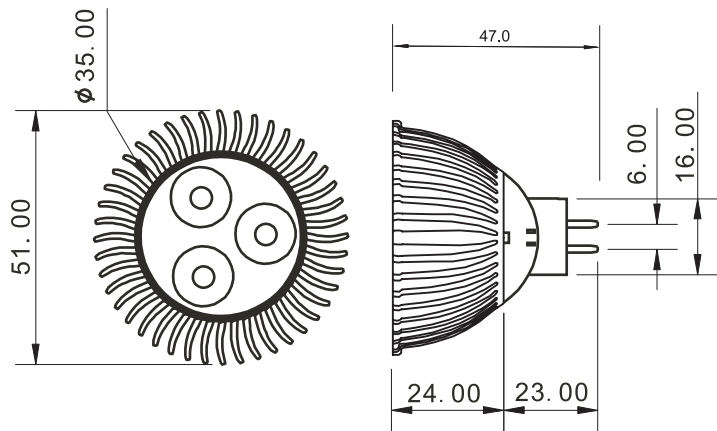
## Ordering Informations

Model No.	Color	Size	Light Source	Luminous Intensity
MR16-3QWW4W	Warm White (3,000-3,500K)	51.0 x 47.0mm	4W	270-300lm
MR16-3QWE4W	Cool White (6,000-6,500K)	51.0 x 47.0mm	4W	290-340lm

## Outline Drawing



MR16-3Q Series



\* The dimensional outline drawings are common in (MR16-3QWW4W and MR16-3QWE4W)

Unit: mm

## Features

- Aluminum casing with special extrusions design
- Energy saving
- Eco-friendly product
- Long life time
- High luminance
- Low power consumption
- RoHS compliant
- Low surface heat against hand touch
- No UV or IR damage light sensitive items
- Highly efficient heat release mechanism

## Specifications

Parameter	Rating value	Unit
Size	51.0 x 47.0mm	mm
Power Consumption	4	W
Input Voltage	AC / DC 12V	V
Light Source	4W power LED	
Operating Temperature	-40 to +70°C	°C
Beam Angle	45°	deg
Weight	38	g
CRI	85	
Body / Finish Color	Aluminum	
Life Time	50,000	hours

### Warning:

- \* Do not look permanently to the light sources.
- \* Specified performance measured in AC/DC 12V.

