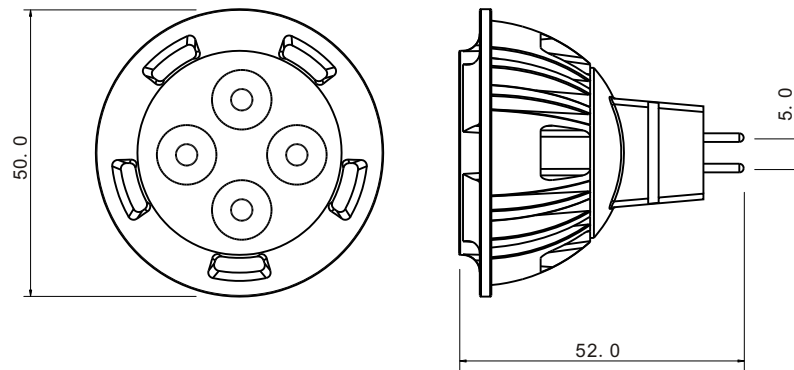


MR16-4EU Series

Ordering Informations

Model no.	Color	Size	Light Source	Luminous Intensity
MR16-4EUWW6W	Warm White (3,000-3,500K)	ø50x52mm	6W	350-400Lm
MR16-4EUNW6W	Natural white (4,000-4,500K)	ø50x52mm	6W	400-450Lm
MR16-4EUWE6W	Cool White (6,000-6,500K)	ø50x52mm	6W	400-450Lm

Outline Drawing



Features

- Aluminum casing with special extrusions design
- Energy saving
- Eco-friendly product
- Long life time (up to 50,000hours)
- High luminance
- Low power consumption
- RoHS compliant
- Low surface heat against hand touch
- No UV or IR damage light sensitive items

* The dimensional outline drawings are common in (MR16-4EUWW6W & MR16-4EUNW6W & MR16-4EUWE6W)

Unit: mm

Specifications

Parameter	Rating value
Light source	CREE 6W
Input Voltage	DC/AC 12V
Installation Diameter	N/A
Operating Temperature	-40 to +70°C
Beam Angle	45°
Weight	70g
CRI	70-80

Warning:

- * Do not look permanently to the light sources.
- * Specified performance measured in DC/AC 12V

