

# PAR30-12AP Series

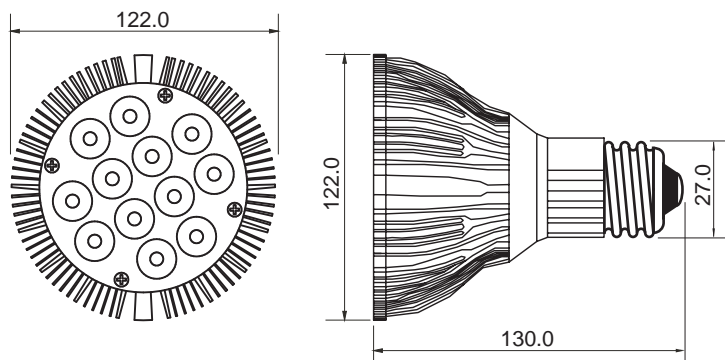
## Ordering Informations

Model No.	Color	Size	Light Source	Luminous Intensity
PAR30-12APWW12W	Warm White (3,000-3,500K)	122.0 x 130.0mm	12x1W	1000-1200lm
PAR30-12APWE12W	Cool White (6,000-6,500K)	122.0 x 130.0mm	12x1W	1100-1300lm



PAR30-12AP Series

## Outline Drawing



## Features

- Aluminum casing with special extrusions design
- Energy saving
- Eco-friendly product
- Long life time (up to 50,000hours)
- High luminance
- Low power consumption
- RoHS compliant
- Low surface heat against hand touch
- No UV or IR damage light sensitive items
- Highly efficient heat release mechanism

\* The dimensional outline drawings are common in (PAR30-12APWW12W and PAR30-12APWE12W) Unit: mm

## Specifications

Parameter	Rating value	Unit
Size	122.0 x 130.0mm	mm
Power Consumption	12	W
Input Voltage	AC 85-260V, 50/60Hz	V
Light Source	12x1W power LED	
Operating Temperature	-40 to +70°C	°C
Beam Angle (Adjustable tilt)	30°	deg
Weight	500	g
CRI	85	
Body / Finish Color	Aluminum	
Life Time	50,000	hours

### Warning:

- \* Do not look permanently to the light sources.
- \* Specified performance measured in AC 85-260V, 50/60Hz.

