

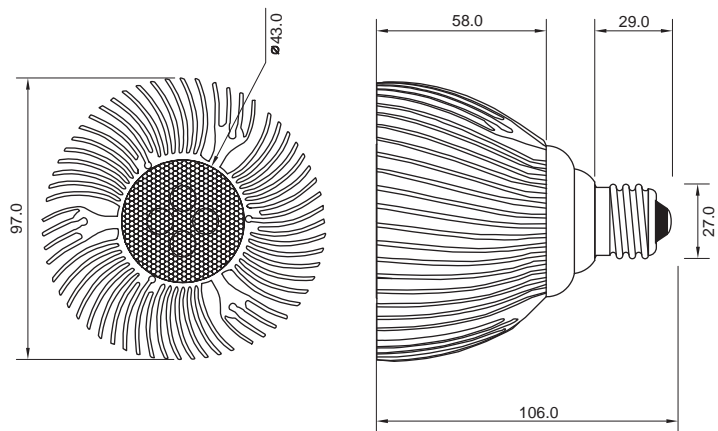
PAR30-4O Series

Ordering Informations

Model No.	Color	Size	Light Source	Luminous Intensity
PAR30-4OWW12W	Warm White (3,000-3,500K)	97.0 x 106.0mm	4x3W	550-650lm
PAR30-4OWE12W	Cool White (6,000-6,500K)	97.0 x 106.0mm	4x3W	650-750lm



Outline Drawing



Features

- Aluminum casing with special extrusions design
- Energy saving
- Eco-friendly product
- Long life time (up to 50,000hours)
- High luminance
- Low power consumption
- RoHS compliant
- Low surface heat against hand touch
- No UV or IR damage light sensitive items
- Highly efficient heat release mechanism

* The dimensional outline drawings are common in (PAR30-4OWW12W and PAR30-4OWE12W)

Unit: mm

Specifications

Parameter	Rating value	Unit
Size	97.0 x 106.0	mm
Power Consumption	12	W
Input Voltage	AC 85-260V, 50/60Hz	V
Light Source	4x3W power LED	
Operating Temperature	-40 to +70°C	°C
Beam Angle (Adjustable tilt)	35°	deg
Weight	340	g
CRI	85	
Body / Finish Color	Aluminum	
Life Time	50,000	hours

Warning:

- * Do not look permanently to the light sources.
- * Specified performance measured in AC 85-260V, 50/60Hz.

