

# PAR30-5P Series

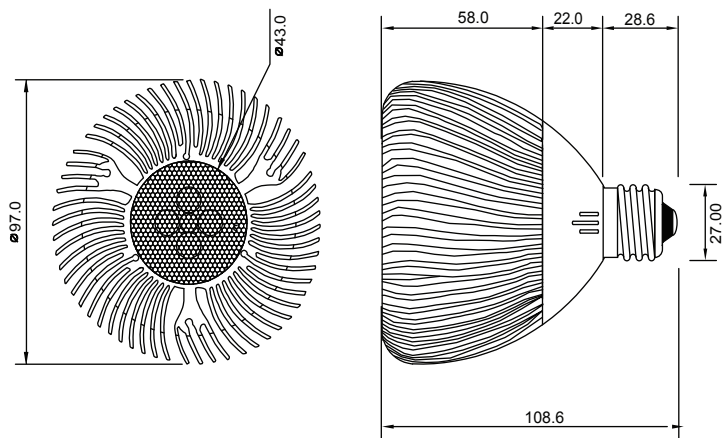
## Ordering Informations

Model No.	Color	Size	Light Source	Luminous Intensity
PAR30-5PWW15W	Warm White (3,000-3,500K)	97.0 x 108.6mm	5x3W	700-800lm
PAR30-5PWE15W	Cool White (6,000-6,500K)	97.0 x 108.6mm	5x3W	750-900m



PAR30-5P Series

## Outline Drawing



\* The dimensional outline drawings are common in (PAR30-5PWW15W and PAR30-5PWE15W)

Unit: mm

## Features

- Aluminum casing with special extrusions design
- Energy saving
- Eco-friendly product
- Long life time (up to 50,000hours)
- High luminance
- Low power consumption
- RoHS compliant
- Low surface heat against hand touch
- No UV or IR damage light sensitive items
- Highly efficient heat release mechanism

## Specifications

Parameter	Rating value	Unit
Size	97.0 x 108.6	mm
Power Consumption	15	W
Input Voltage	AC 85-260V, 50/60Hz	V
Light Source	5x3W power LED	
Operating Temperature	-40 to +70°C	°C
Beam Angle (Adjustable tilt)	45°	deg
Weight	380	g
CRI	85	
Body / Finish Color	Aluminum	
Life Time	50,000	hours

### Warning:

- \* Do not look permanently to the light sources.
- \* Specified performance measured in AC 85-260V, 50/60Hz.

