

T8N060(01) Series

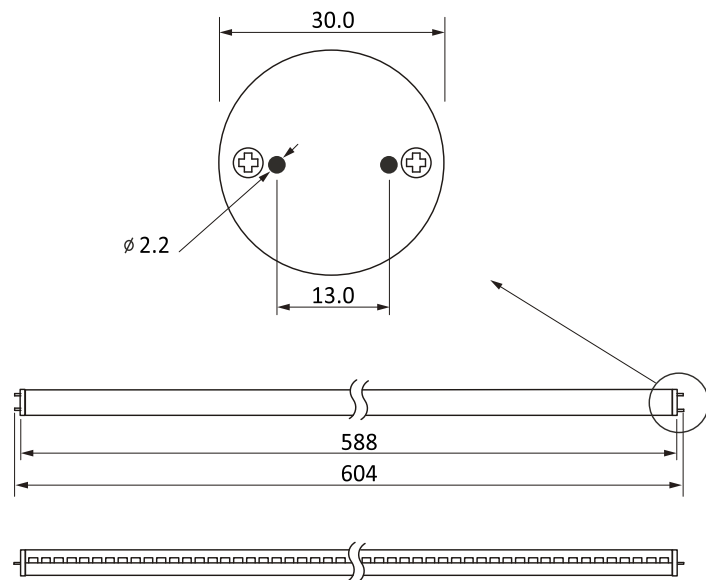
Ordering Informations

Model no.	Color	Size	Light Source	Luminous Intensity
T8N060WW01	Warm White (3,000-3,500K)	Ø30 x 604mm	SMD LED	600-700lm
T8N060NW01	Neutral White (4,500-4,750K)	Ø30 x 604mm	SMD LED	700-800lm
T8N060WE01	Cool White (5,500-6,500K)	Ø30 x 604mm	SMD LED	700-800lm

Outline Drawing



T8N060(01) Series



Features

- No need of ballast or starter
- No need of reflector
- Easy installation and replacement
- Eco-friendly product
- Long life time
- Low power consumption
- No UV or IR damage light sensitive items
- Low surface heat against hand touch
- Highly efficient heat release mechanism

* The dimensional outline drawings are common in (T8N060WW01, T8N060NW01 and T8N060WE01)

Unit: mm

Specifications

Parameter	Rating value
Power Consumption	8W
Input Voltage	AC 110/265V, 50/60Hz
Light Source	SMD LED
Operating Temperature	-45 to +80°C
IP level	IP2X
Weight	230g
CRI	85

Warning:

- * Do not look permanently to the light sources
- * Specified performance measured in AC 110/265V

