

T8N120(01) Series

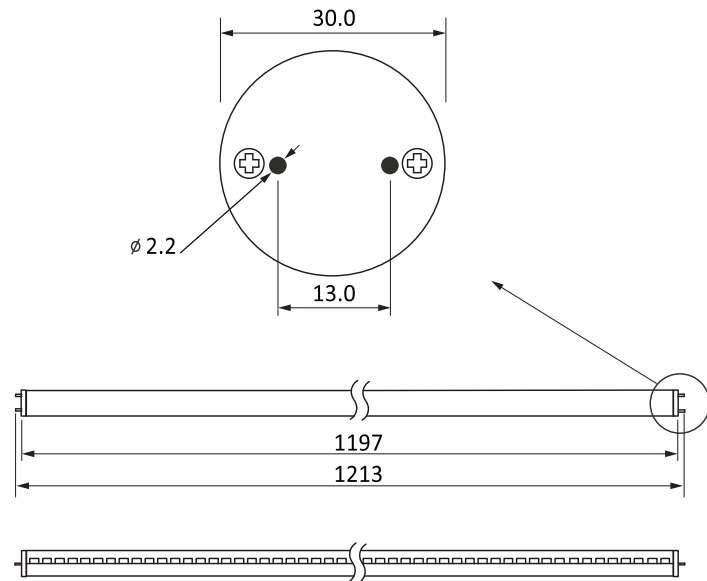
Ordering Informations

Model no.	Color	Size	Light Source	Luminous Intensity
T8N120WW01	Warm White (3,000-3,500K)	Ø30 x 1213mm	SMD LED	1,750-1,800lm
T8N120NW01	Neutral White (4,500-4,750K)	Ø30 x 1213mm	SMD LED	1,850-1,900lm
T8N120WE01	Cool White (5,500-6,500K)	Ø30 x 1213mm	SMD LED	1,900-1,950lm



T8N120(01) Series

Outline Drawing



Features

- No need of ballast or starter
- No need of reflector
- Easy installation and replacement
- Eco-friendly product
- Long life time
- Low power consumption
- No UV or IR damage light sensitive items
- Low surface heat against hand touch
- Highly efficient heat release mechanism

* The dimensional outline drawings are common in (T8N120WW01, T8N120NW01 and T8N120WE01) Unit: mm

Specifications

Parameter	Rating value
Power Consumption	18W
Input Voltage	AC 110/265V, 50/60Hz
Light Source	SMD LED
Operating Temperature	-45 to +80°C
IP level	IP2X
Weight	420g
CRI	85

Warning:

- * Do not look permanently to the light sources
- * Specified performance measured in AC 110/265V

