

T8N150(01) Series

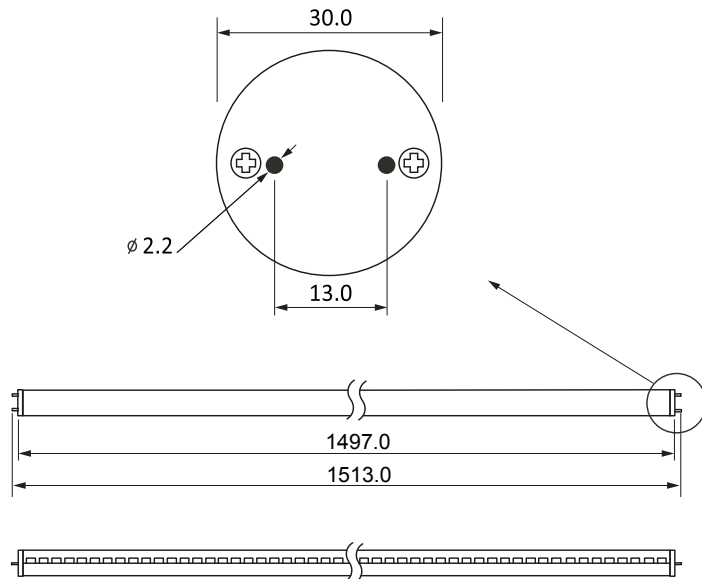
Ordering Informations

Model no.	Color	Size	Light Source	Luminous Intensity
T8N150WW01	Warm white(3000-3500k)	Ø30x1502mm	SMD LED	2200-2300Lm
T8N150NW01	Natural white(4000-4500k)	Ø30x1502mm	SMD LED	2300-2400Lm
T8N150WE01	Cool white(6000-6500k)	Ø30x1502mm	SMD LED	2300-2400Lm



T8N150(01) Series

Outline Drawing



Features

- No need of ballast or starter
- No need of reflector
- Easy installation and replacement
- Eco-friendly product
- Long life time
- Low power consumption
- No UV or IR damage light sensitive items
- Low surface heat against hand touch
- Highly efficient heat release mechanism

* The dimensional outline drawings are common in (T8N150WW01, T8N150NW01 and T8N150WE01)

Unit: mm

Specifications

Parameter	Rating value
Power Consumption	25W
Input Voltage	AC 110/265V, 50/60Hz
Light Source	SMD LED
Operating Temperature	-45 to +80°C
IP level	IP2X
Weight	720g
CRI	85

Warning:

- * Do not look permanently to the light sources
- * Specified performance measured in AC 220V

