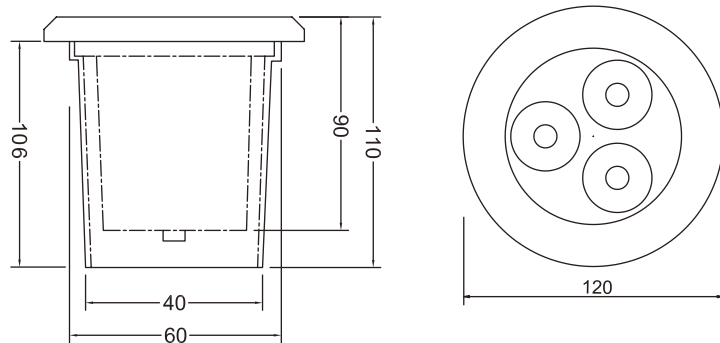


UGL-HD030 Series

Ordering Informations

Model No.	Color	Size	Light Source	Luminous Intensity
UGL-HD030WW	Warm White (3,000-3,500K)	Ø120x106mm	3x1W	230-270lm
UGL-HD030WE	Cool White (6,000-6,500K)	Ø120x106mm	3x1W	280-310lm

Outline Drawing



Features

- Aluminum casing with special extrusions design
- Energy saving
- Eco-friendly product
- Long life time
- High luminance
- Low power consumption
- Weatherproof performance IP67
- Low surface heat against hand touch
- No UV or IR damage light sensitive items

* The dimensional outline drawings are common in (UGL-HD030WW and UGL-HD030WE)

Unit: mm

Specifications

Parameter	Rating value
Power Consumption	3W
Input Voltage	AC 85-220V, 50/60Hz
Light Source	3x1W power LED
Operating Temperature	- 40 to +70°C
Beam Angle	45°
Weight	700g
CRI	85
IP level	IP67

Warning:

- * Do not look permanently to the light sources.
- * Specified performance measured in 85-220Vac.

