

## UWL-H030 Series

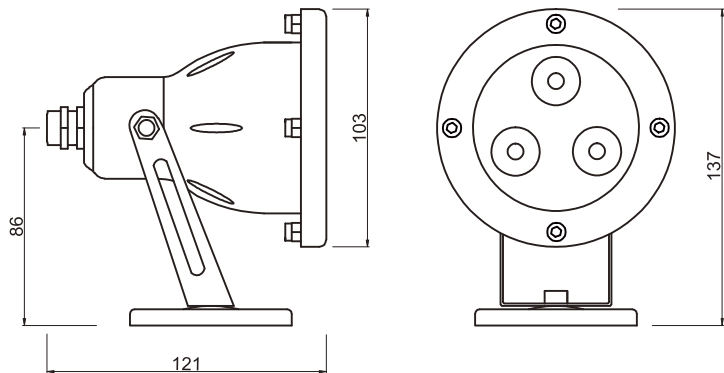
### Ordering Informations

Model No.	Color	Size	Light Source	Luminous Intensity
UWL-H030WW	Warm White (3,000-3,500K)	Ø121x137mm	3x1W	150-180lm
UWL-H030WE	Cool White (6,000-6,500K)	Ø121x137mm	3x1W	210-240lm

### Outline Drawing



UWL-H030 Series



\* The dimensional outline drawings are common in (UWL-H030WW & UWL-H030WE)

Unit: mm

### Features

- Energy saving
- Eco-friendly product
- Long life time
- High luminance
- Low power consumption
- RoHS compliant
- Low surface heat against hand touch
- No UV or IR damage light sensitive items
- IP level 67

### Specifications

Parameter	Rating value
Power Consumption	3W
Input Voltage	AC 110-220V, 50/60Hz
Light Source	3x1W power LED
Operating Temperature	- 40 to +70°C
Beam Angle	30°
Weight	560g
CRI	85
IP level	IP67

#### Warning:

- \* Do not look permanently to the light sources.
- \* Specified performance measured in 85-220Vac.

