

UWL-H060 Series

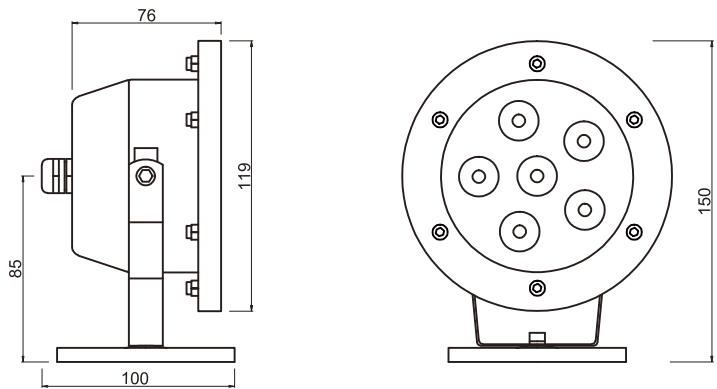
Ordering Informations

| Model No. | Color | Size | Light Source | Luminous Intensity |
|------------|---------------------------|------------|--------------|--------------------|
| UWL-H060WW | Warm White (3,000-3,500K) | Ø100x150mm | 6x1W | 300-360lm |
| UWL-H060WE | Cool White (6,000-6,500K) | Ø100x150mm | 6x1W | 420-480lm |



UWL-H060 Series

Outline Drawing



* The dimensional outline drawings are common in (UWL-H060WW & UWL-H060WE)

Unit: mm

Features

- Energy saving
- Eco-friendly product
- Long life time
- High luminance
- Low power consumption
- RoHS compliant
- Low surface heat against hand touch
- No UV or IR damage light sensitive items
- IP level 67

Specifications

| Parameter | Rating value |
|-----------------------|----------------------|
| Power Consumption | 6W |
| Input Voltage | AC 110-220V, 50/60Hz |
| Light Source | 6x1W power LED |
| Operating Temperature | - 40 to +70°C |
| Beam Angle | 30° |
| Weight | 680g |
| CRI | 85 |
| IP level | IP67 |

Warning:

- * Do not look permanently to the light sources.
- * Specified performance measured in 85-220Vac.

