

UWL-H070 Series

Ordering Informations

Model No.	Color	Size	Light Source	Luminous Intensity
UWL-H070WW	Warm White (3,000-3,500K)	Ø98x170mm	7x1W	350-400lm
UWL-H070WE	Cool White (6,000-6,500K)	Ø98x170mm	7x1W	500-600lm

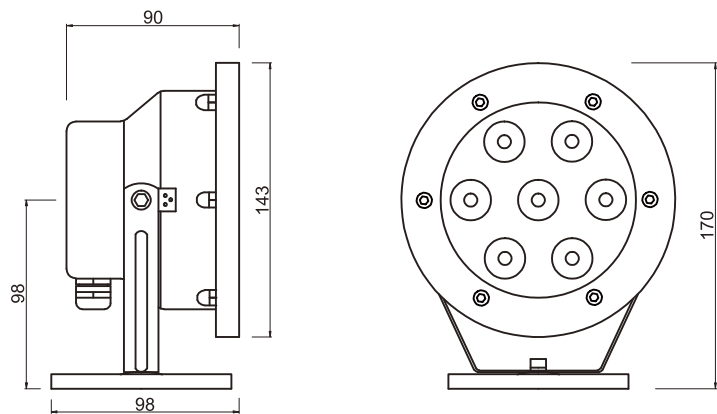


UWL-H070 Series

Features

- Energy saving
- Eco-friendly product
- Long life time
- High luminance
- Low power consumption
- RoHS compliant
- Low surface heat against hand touch
- No UV or IR damage light sensitive items
- IP level 67

Outline Drawing



* The dimensional outline drawings are common in (UWL-H070WW & UWL-H070WE)

Unit: mm

Specifications

Parameter	Rating value
Power Consumption	7W
Input Voltage	AC 110-220V, 50/60Hz
Light Source	7x1W power LED
Operating Temperature	- 40 to +70°C
Beam Angle	45°
Weight	910g
CRI	85
IP level	IP67

Warning:

- * Do not look permanently to the light sources.
- * Specified performance measured in 85-220Vac.

