

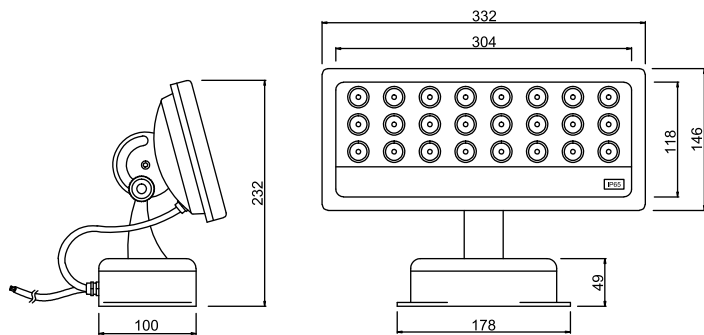
WC-24 Series

Ordering Informations

| Model No. | Color | Size | Light Source | Luminous Intensity |
|-----------|---------------------------|------------|--------------|--------------------|
| WC-24WW1 | Warm White (3,000-3,500K) | Ø332x232mm | 24x1W | 1,800-2,200lm |
| WC-24WE1 | Cool White (6,000-6,500K) | Ø332x232mm | 24x1W | 2,000-2,600lm |



Outline Drawing



Features

- Aluminum casing with special extrusions design
- Energy saving
- Eco-friendly product
- Long life time
- High luminance
- Low power consumption
- RoHS compliant
- Low surface heat against hand touch
- No UV or IR damage light sensitive items

* The dimensional outline drawings are common in (WC-24WE1 & WC-24WW1)

Unit: mm

Specifications

| Parameter | Rating value |
|-----------------------|---------------------------|
| Power Consumption | 24W |
| Input Voltage | AC 85-220V, 50/60Hz |
| Light Source | 24x1W power LED |
| Operating Temperature | - 40 to +70°C |
| Beam Angle | 30° |
| Weight | 4.2kg |
| CRI | 85 |
| IP level | IP65 |
| Body / Finish Color | Die-cast Aluminium casing |

Warning:

- * Do not look permanently to the light sources.
- * Specified performance measured in 85-220Vac.

