

WE-12 Series

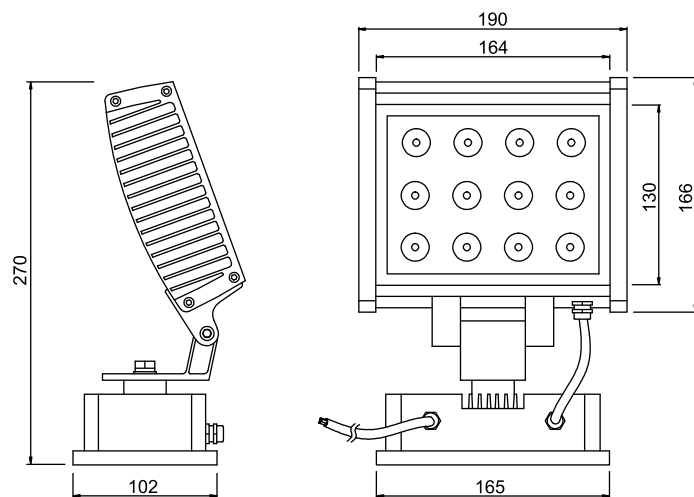
Ordering Informations

Model No.	Color	Size	Light Source	Luminous Intensity
WE-12WW1	Warm White (3,000-3,500K)	Ø190x270mm	12x1W	1,200-1,400lm
WE-12WE1	Cool White (6,000-6,500K)	Ø190x270mm	12x1W	1,400-1,600lm



WE-12 Series

Outline Drawing



* The dimensional outline drawings are common in (WE-12WE1 & WE-12WW1)

Unit: mm

Features

- Aluminum casing with special extrusions design
- Energy saving
- Eco-friendly product
- Long life time
- High luminance
- Low power consumption
- RoHS compliant
- Low surface heat against hand touch
- No UV or IR damage light sensitive items
- Highly efficient heat release mechanism

Specifications

Parameter	Rating value
Power Consumption	12W
Input Voltage	AC 85-220V, 50/60Hz
Light Source	12x1W power LED
Operating Temperature	- 40 to +70°C
Beam Angle	45°
Weight	2.1kg
CRI	85
IP level	IP65
Body / Finish Color	Die-cast Aluminium casing

Warning:

- * Do not look permanently to the light sources.
- * Specified performance measured in 85-220Vac.

