

## WF-15 Series

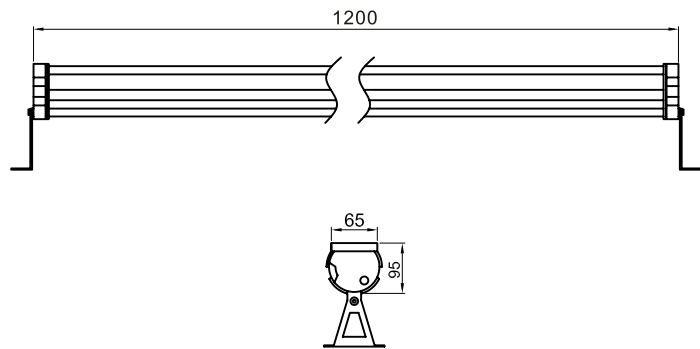
### Ordering Informations

Model No.	Color	Size	Light Source	Luminous Intensity
WF-15WW1	Warm White (3,000-3,500K)	Ø1200x95mm	15x1W	1,400-1,500lm
WF-15WE1	Cool White (6,000-6,500K)	Ø1200x95mm	15x1W	1,500-1,600lm



WF-15 Series

### Outline Drawing



### Features

- Aluminum casing with special extrusions design
- Energy saving
- Eco-friendly product
- Long life time
- High luminance
- Low power consumption
- RoHS compliant
- Low surface heat against hand touch
- No UV or IR damage light sensitive items
- Highly efficient heat release mechanism

\* The dimensional outline drawings are common in (WF-15WE1 & WF-15WW1)

Unit: mm

### Specifications

Parameter	Rating value
Power Consumption	15W
Input Voltage	AC 85-220V, 50/60Hz
Light Source	15x1W power LED
Operating Temperature	- 40 to +70°C
Beam Angle	45°
Weight	3.8kg
CRI	85
IP level	IP65
Body / Finish Color	Die-cast Aluminium casing

#### Warning:

- \* Do not look permanently to the light sources.
- \* Specified performance measured in 85-220Vac.

