

WW-20 Series

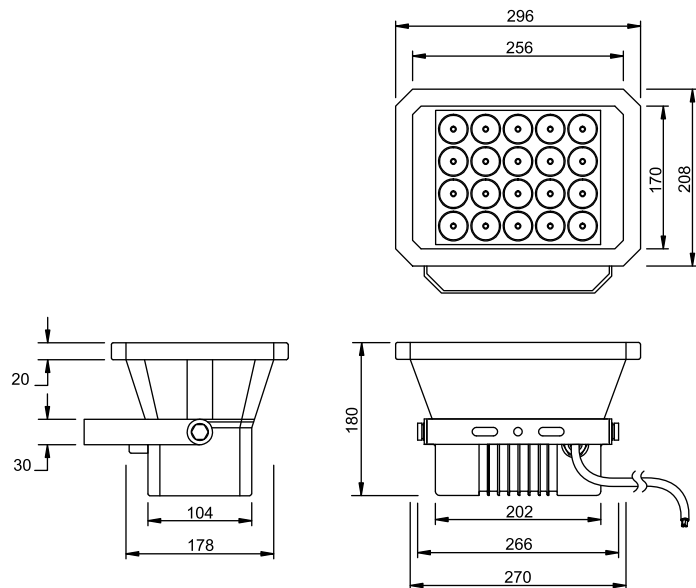
Ordering Informations

Model No.	Color	Size	Light Source	Luminous Intensity
WW-20WW1	Warm White (3,000-3,500K)	296.0 x 208.0 x 180.0mm	20x1W	2,000-2,200lm
WW-20WE1	Cool White (6,000-6,500K)	296.0 x 208.0 x 180.0mm	20x1W	2,300-2,500lm

Outline Drawing



WW-20 Series



* The dimensional outline drawings are common in (WW-20WE1 and WW-20WW1)

Unit: mm

Features

- Aluminum casing with special extrusions design
- Energy saving
- Eco-friendly product
- Long life time
- High luminance
- Low power consumption
- RoHS compliant
- Low surface heat against hand touch
- No UV or IR damage light sensitive items

Specifications

Parameter	Rating value
Power Consumption	20W
Input Voltage	AC 85-220V, 50/60Hz
Light Source	20x1W power LED
Operating Temperature	- 40 to +70°C
Beam Angle (Adjustable tilt)	45°(15°)
Weight	3.6kg
CRI	85
IP level	IP65
Body / Finish Color	Die-cast Aluminium casing

Warning:

- * Do not look permanently to the light sources.
- * Specified performance measured in 85-220Vac.

