

## WW-36 Series

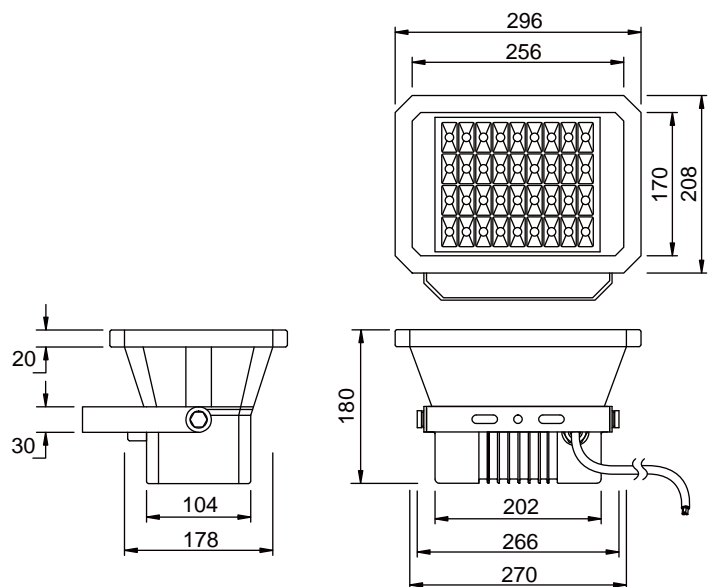
### Ordering Informations

Model No.	Color	Size	Light Source	Luminous Intensity
WW-36WW1	Warm White (3,000-3,500K)	296.0 x 208.0 x 180.0mm	36x1W	2,900-3,500lm
WW-36WE1	Cool White (6,000-6,500K)	296.0 x 208.0 x 180.0mm	36x1W	3,200-3,800lm



WW-36 Series

### Outline Drawing



\* The dimensional outline drawings are common in (WW-36WE1 and WW-36WW1)

Unit: mm

### Features

- Aluminum casing with special extrusions design
- Energy saving
- Eco-friendly product
- Long life time
- High luminance
- Low power consumption
- RoHS compliant
- Low surface heat against hand touch
- No UV or IR damage light sensitive items

### Specifications

Parameter	Rating value
Power Consumption	36W
Input Voltage	AC 85-220V, 50/60Hz
Light Source	36x1W power LED
Operating Temperature	- 40 to +70°C
Beam Angle (Adjustable tilt)	45°(15°)
Weight	3.9kg
CRI	85
IP level	IP65
Body / Finish Color	Die-cast Aluminium casing

#### Warning:

- \* Do not look permanently to the light sources.
- \* Specified performance measured in 85-220Vac.

